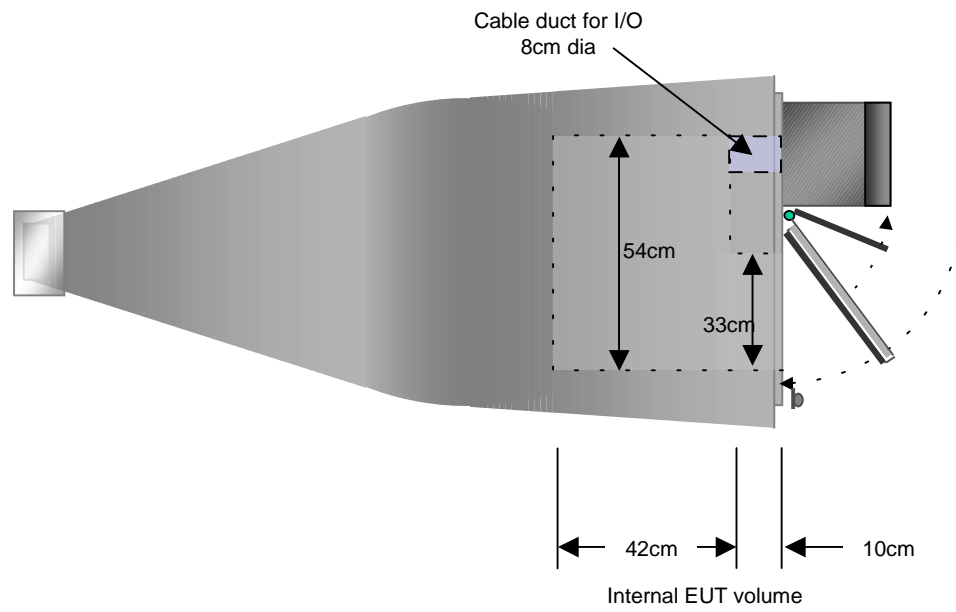
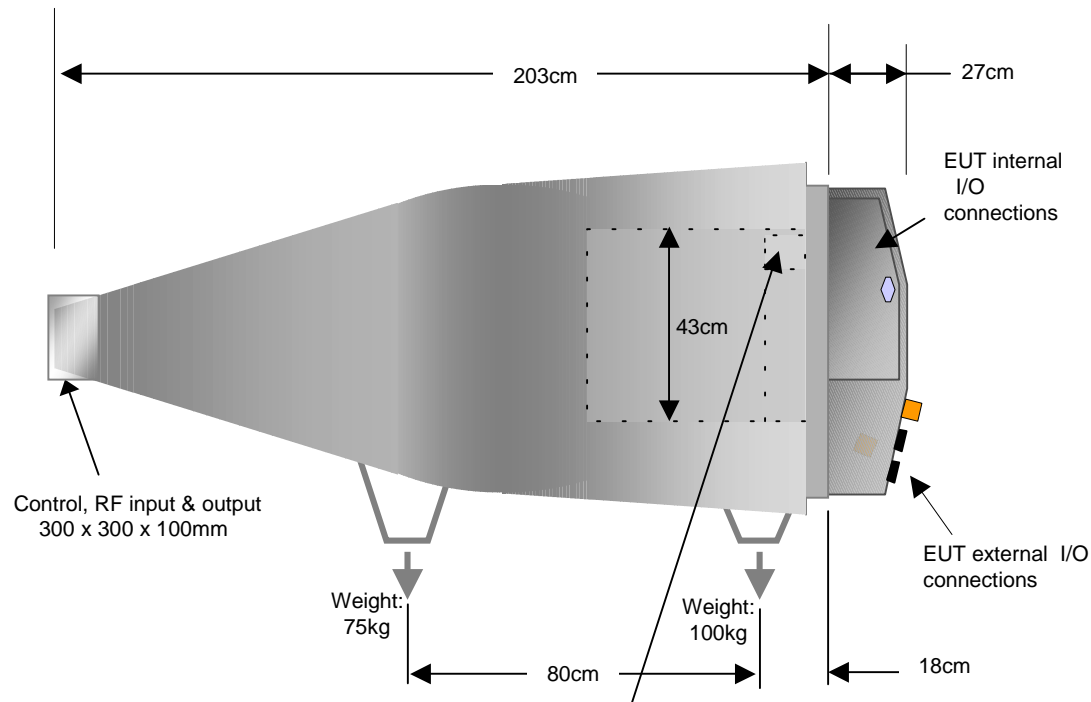
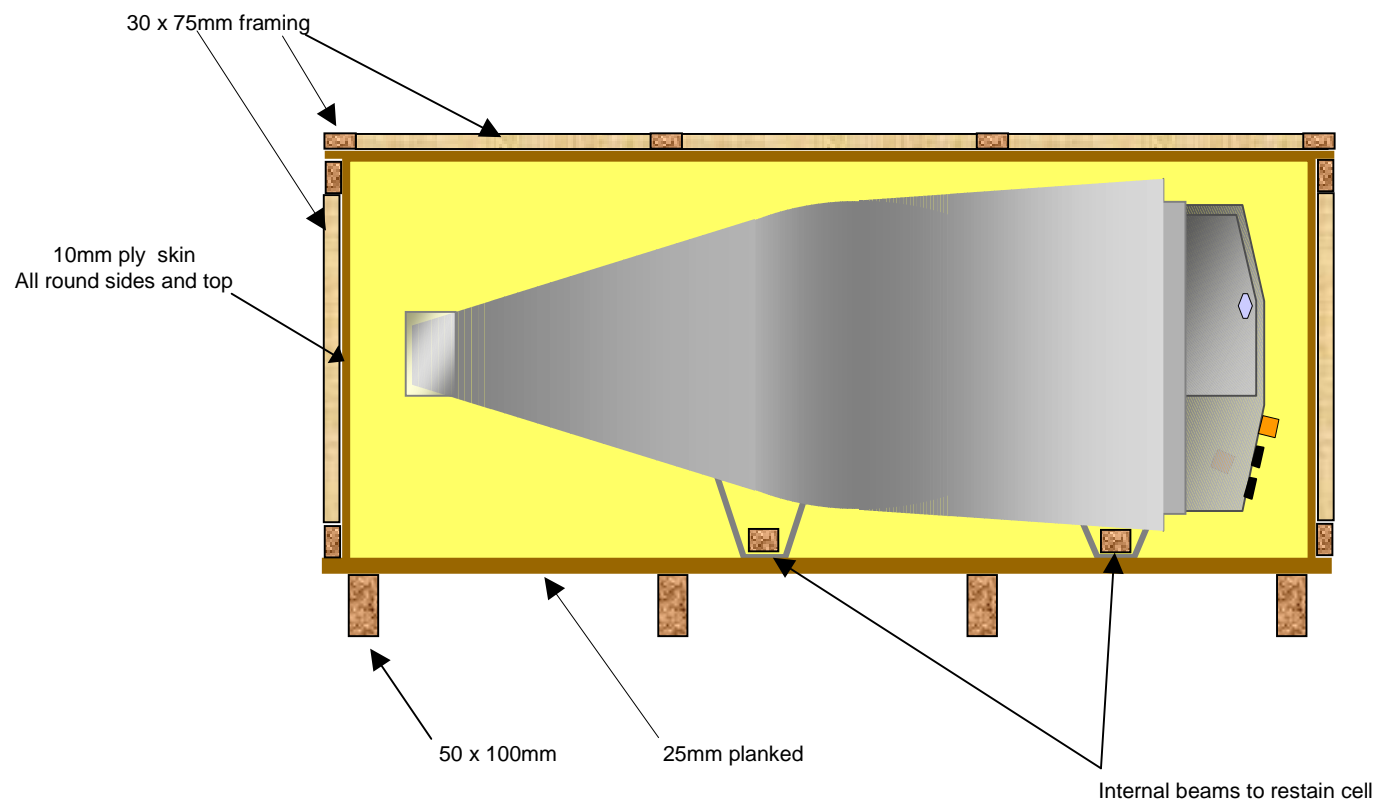


Internal EUT volume: 54 x 42 x 43cm
 Total weight: 175kg (approx)
 Overall size: 230 long x 77 wide x 83 high

Lc300/2 EMC test cell
 General arrangement
 Jan 2012

LAPLACE INSTRUMENTS LTD





Sides and top all screwed together so that crate can be re-used.
Overall size: 255 long, 95 wide, 106 high

Crate for Lc300/2 cell